

REACT! With TorcUP Accessories!

RAPTOR
Pneumatic Torque Wrenches

RAPTOR
Reaction Arm Accessories



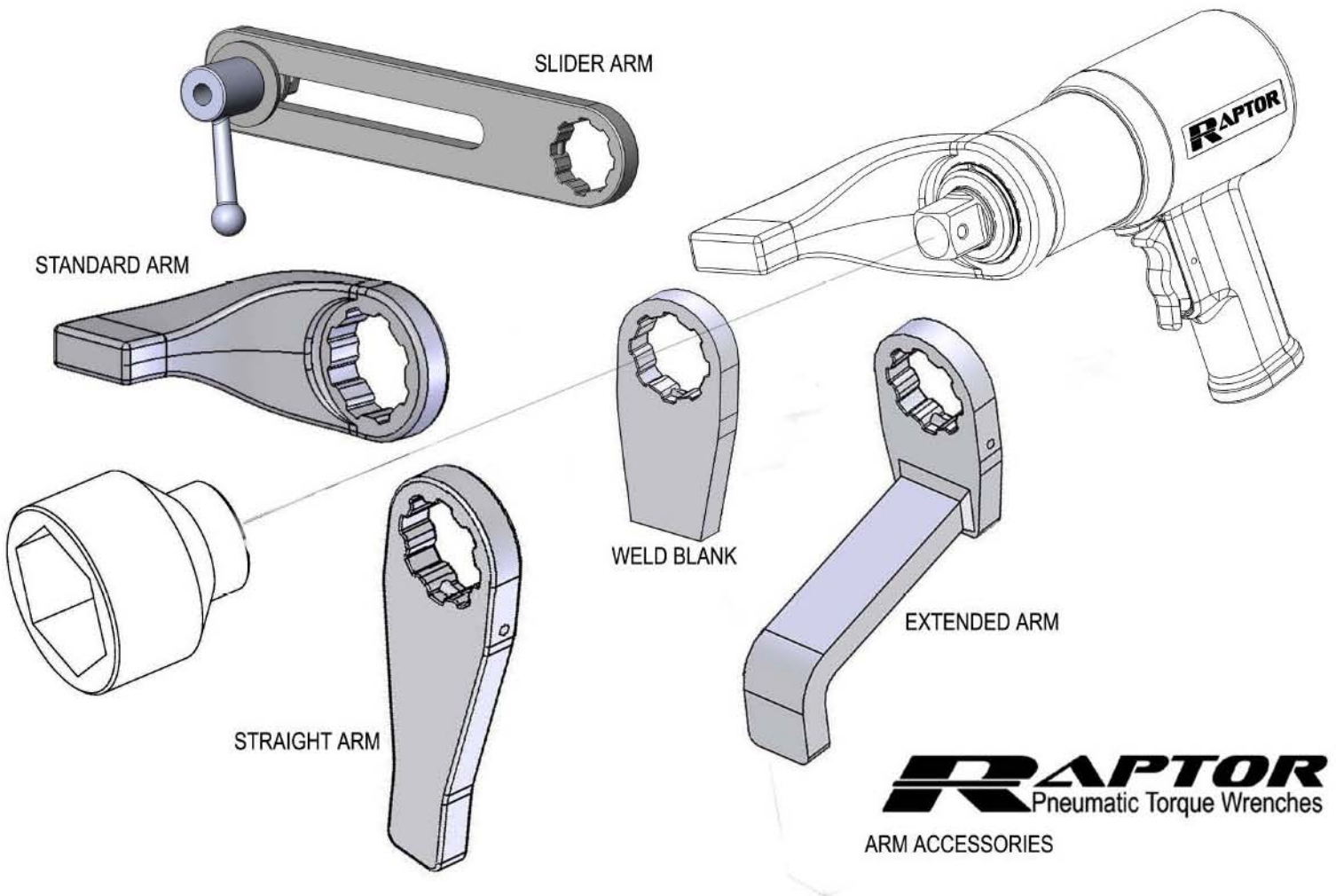
TorcUP

TorcUP, Inc. * 1025 Conroy Place, Easton PA 18040 * Phone: 610-250-5800
Fax: 610-250-2700 * Toll Free: 888-TORCUP-1 (867-2871)
Website: www.torcup.com E-mail: sales@torcup.com

REACT! With TorcUP Accessories!

RRAPTOR

Pneumatic Torque Wrenches



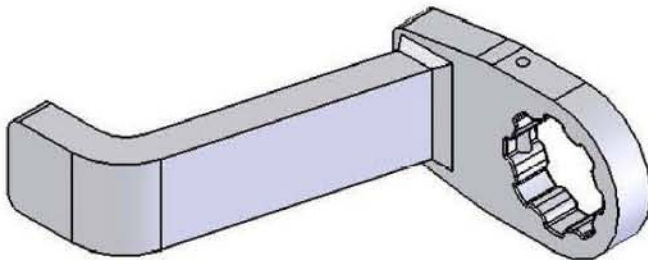
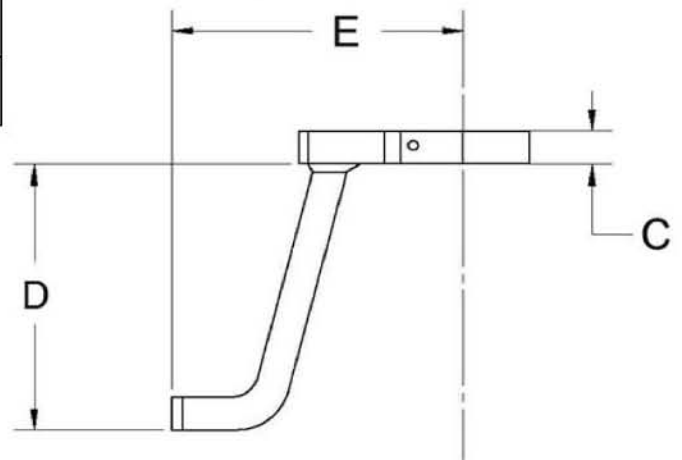
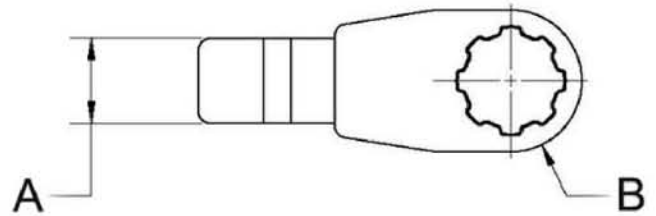
TorcUP, Inc. * 1025 Conroy Place, Easton PA 18040 * Phone: 610-250-5800
Fax: 610-250-2700 * Toll Free: 888-TORCUP-1 (867-2871)
Website: www.torcup.com E-mail: sales@torcup.com

REACT! With TorcUP Accessories!

Extended Arm



EXTENDED ARM Part Number	RPA-05.10-LARM		RPA-20.30-LARM	
	RAPTOR 500	RAPTOR 1000	RAPTOR 2000	RAPTOR 3000
A	1.5"/ 38.1mm	1.5"/ 38.1mm	1.75"/ 44.5mm	1.75"/ 44.5mm
B	R1.25"/ 31.8mm	R1.25"/ 31.8mm	R1.43"/ 38.1mm	R1.43"/ 38.1mm
C	.63"/16mm	.63"/16mm	.75"/19.1mm	.75"/19.1mm
D	5.00"/ 127mm	5.00"/ 127mm	5.25"/ 133.4mm	5.25"/ 133.4mm
E	5.50"/ 139.7mm	5.50"/ 139.7mm	6.5"/ 165.1mm	6.50"/ 165.1mm

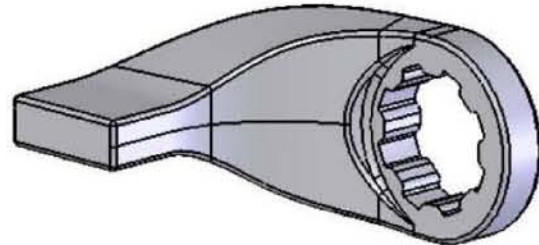
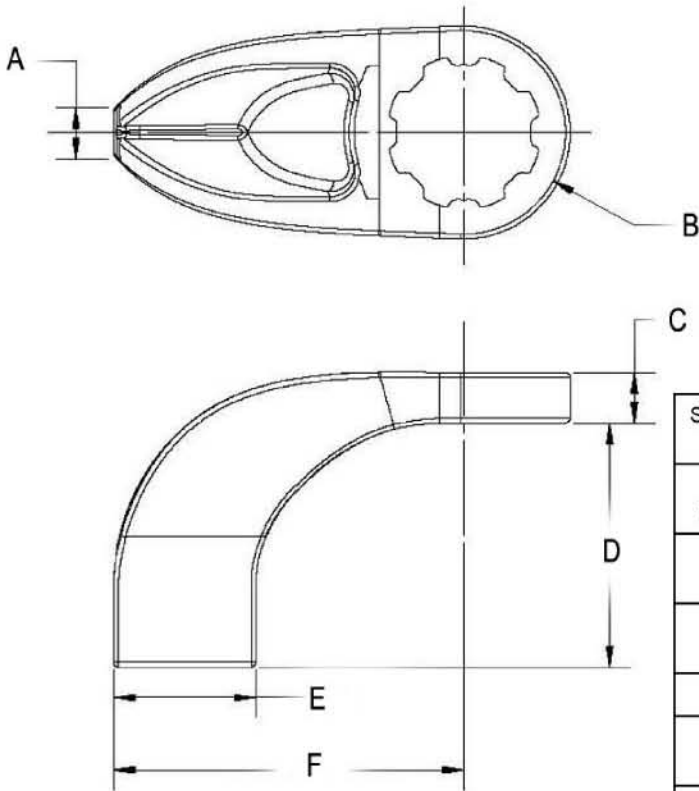


RAPTOR EXTENDED ARM

TorcUP, Inc. * 1025 Conroy Place, Easton PA 18040 * Phone: 610-250-5800
 Fax: 610-250-2700 * Toll Free: 888-TORCUP-1 (867-2871)
 Website: www.torcup.com E-mail: sales@torcup.com

REACT! With TorcUP Accessories!

Standard Arm



RAPTOR STANDARD ARM

STANDARDARM Part Number	RPA-05.10-RARM		RPA-20.30-RARM	
	RAPTOR 500	RAPTOR 1000	RAPTOR 2000	RAPTOR 3000
A	.64"/ 162.5mm	.64"/ 162.5mm	.75"/19.1mm	.75"/19.1mm
B	R1.25"/ 31.8mm	R1.25"/ 31.8mm	R1.50"/ 38.1mm	R1.50"/ 38.1mm
C	.63"/16mm	.63"/16mm	.75"/19.1mm	.75"/19.1mm
D	3.00"/ 76.2mm	3.00"/ 76.2mm	3.25"/ 82.5mm	3.25"/ 82.5mm
E	1.75"/ 44.5mm	1.75"/ 44.5mm	2.00"/ 50.8mm	2.00"/ 50.8mm
F	4.29"/ 108.9mm	4.29"/ 108.9mm	5.25"/ 133.4mm	5.25"/ 134mm

TorcUP, Inc. * 1025 Conroy Place, Easton PA 18040 * Phone: 610-250-5800
 Fax: 610-250-2700 * Toll Free: 888-TORCUP-1 (867-2871)
 Website: www.torcup.com E-mail: sales@torcup.com

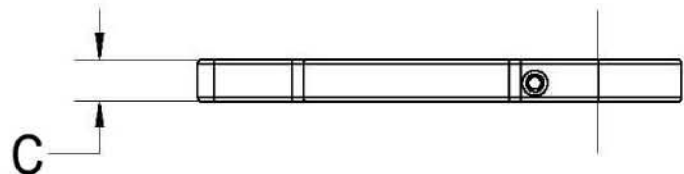
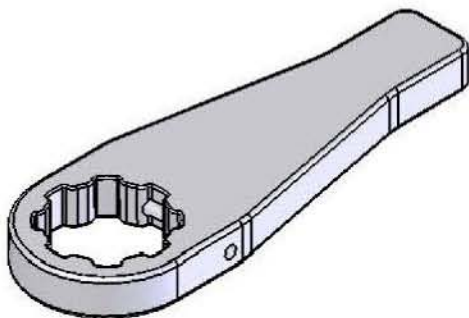
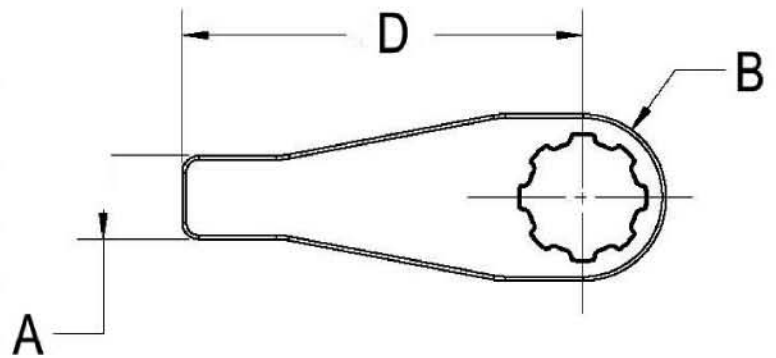
REACT! With TorcUP Accessories!

Straight Arm



RAPTOR STRAIGHT ARM

STRAIGHT ARM Part Number	RPA-05.10-SARM		RPA-20.30-SARM	
RAPTOR Model Number	RAPTOR 500	RAPTOR 1000	RAPTOR 2000	RAPTOR 3000
A	1.25" 31.7mm	1.25" 31.7mm	2.00" 50.8mm	2.00" 50.8mm
B	R1.25" 31.8mm	R1.25" 31.8mm	R1.43" 38.1mm	R1.43" 38.1mm
C	.63"/16mm	.63"/16mm	.75"/19.1mm	.75"/19.1mm
D	6.00" 152.4mm	6.00" 152.4mm	8.00" 203.2mm	8.00" 203.2mm



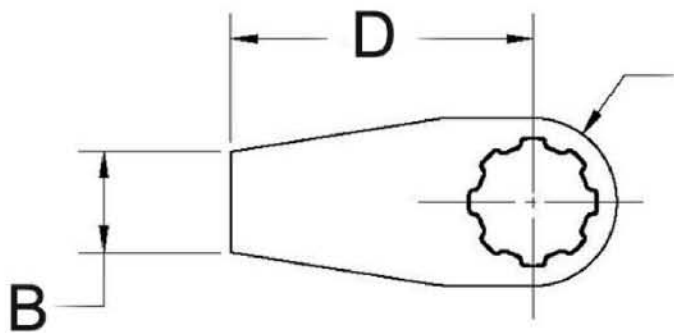
TorcUP, Inc. * 1025 Conroy Place, Easton PA 18040 * Phone: 610-250-5800
 Fax: 610-250-2700 * Toll Free: 888-TORCUP-1 (867-2871)
 Website: www.torcup.com E-mail: sales@torcup.com

REACT! With TorcUP Accessories!

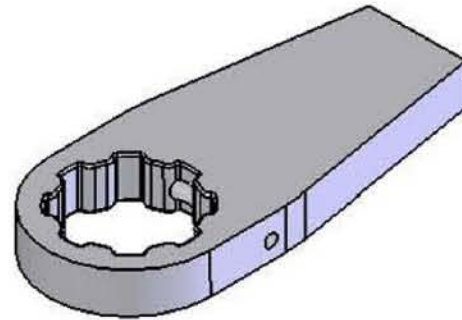
Weld Blank



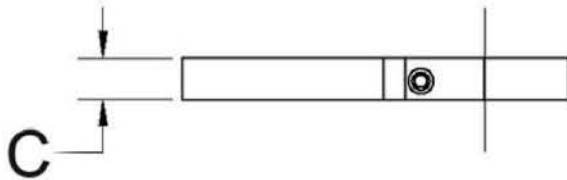
Note: Weld blanks are not heat treated as provided. Material is 4140-AQ. Final heat treating to 38-42 Rc is required. Customer is responsible for all welding.



A



RAPTOR WELD BLANK

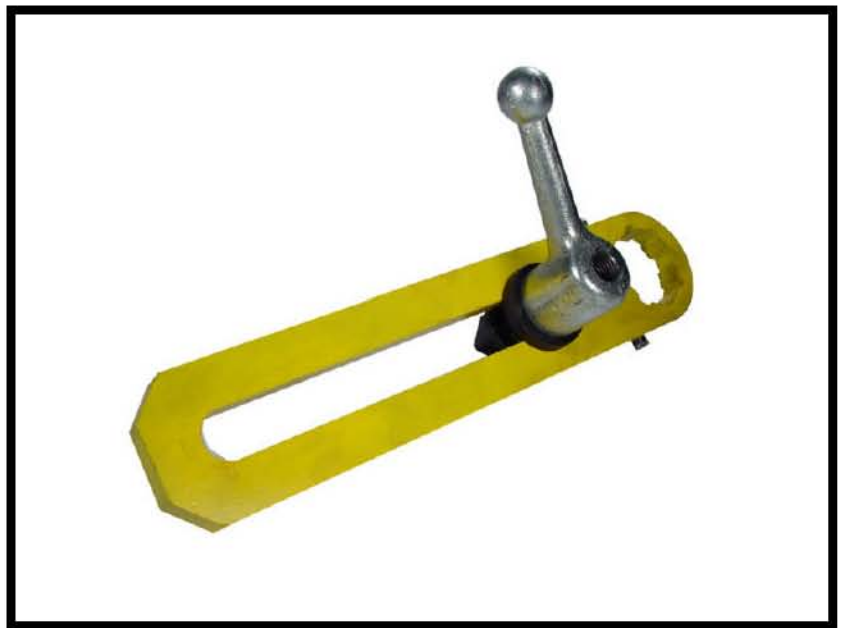


WELD BLANK Part Number	RPA-05.10-WD		RPA-20.30-WD	
	RAPTOR 500	RAPTOR 1000	RAPTOR 2000	RAPTOR 3000
A	R1.25" 31.7mm	R1.25" 31.7mm	R1.48" 37.60mm	R1.48" 37.60mm
B	1.50" 38.1mm	1.50" 38.1mm	2.00" 50.8mm	2.00" 50.8mm
C	.63" 16mm	.63" 16mm	.75" 19.1mm	.75" 19.1mm
D	4.50" 114.3mm	4.50" 114.3mm	4.5" 114.3mm	4.5" 114.3mm

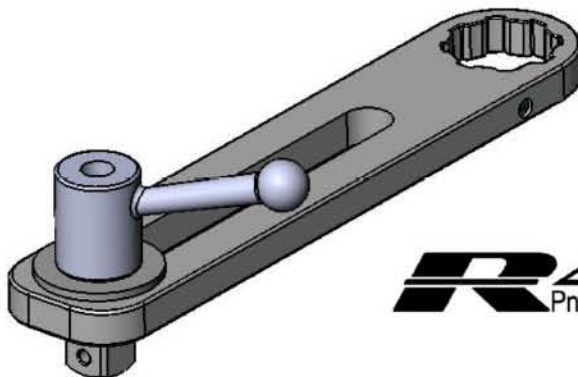
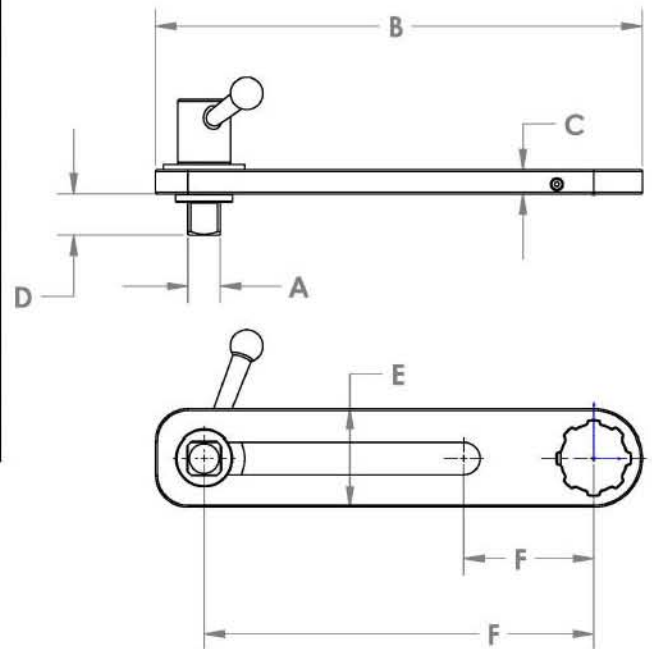
TorcUP, Inc. * 1025 Conroy Place, Easton PA 18040 * Phone: 610-250-5800
 Fax: 610-250-2700 * Toll Free: 888-TORCUP-1 (867-2871)
 Website: www.torcup.com E-mail: sales@torcup.com

REACT! With TorcUP Accessories!

Slider Arm



SLIDER Part Number	RPA-05.10-SLA		RPA-20.30-SLA	
RAPTOR Model Number	RAPTOR 500	RAPTOR 1000	RAPTOR 2000	RAPTOR 3000
A	.75" / 19.1 mm	.75" / 19.1 mm	1.00" / 25.4 mm	1.00" / 25.4 mm
B	14.24" / 361.7mm	14.24" / 361.7mm	15.00" / 381.0 mm	15.00" / 381.0 mm
C	.63" / 16.0 mm	.63" / 16.0 mm	0.75" / 19.1 mm	0.75" / 19.1 mm
D	1.09" / 27.7mm	1.09" / 27.7mm	1.27" / 32.3 mm	1.27" / 32.3 mm
E	2.50" / 63.5 mm	2.50" / 63.5 mm	3.00" / 76.2 mm	3.00" / 76.2 mm
F	4.00" to 12.00" / 101.6 to 304.8 mm	4.00" to 12.00" / 101.6 to 304.8 mm	4.00" to 12.00" / 101.6 to 304.8 mm	4.00" to 12.00" / 101.6 to 304.8 mm



SLIDER ARM

TorcUP, Inc. * 1025 Conroy Place, Easton PA 18040 * Phone: 610-250-5800
 Fax: 610-250-2700 * Toll Free: 888-TORCUP-1 (867-2871)
 Website: www.torcup.com E-mail: sales@torcup.com