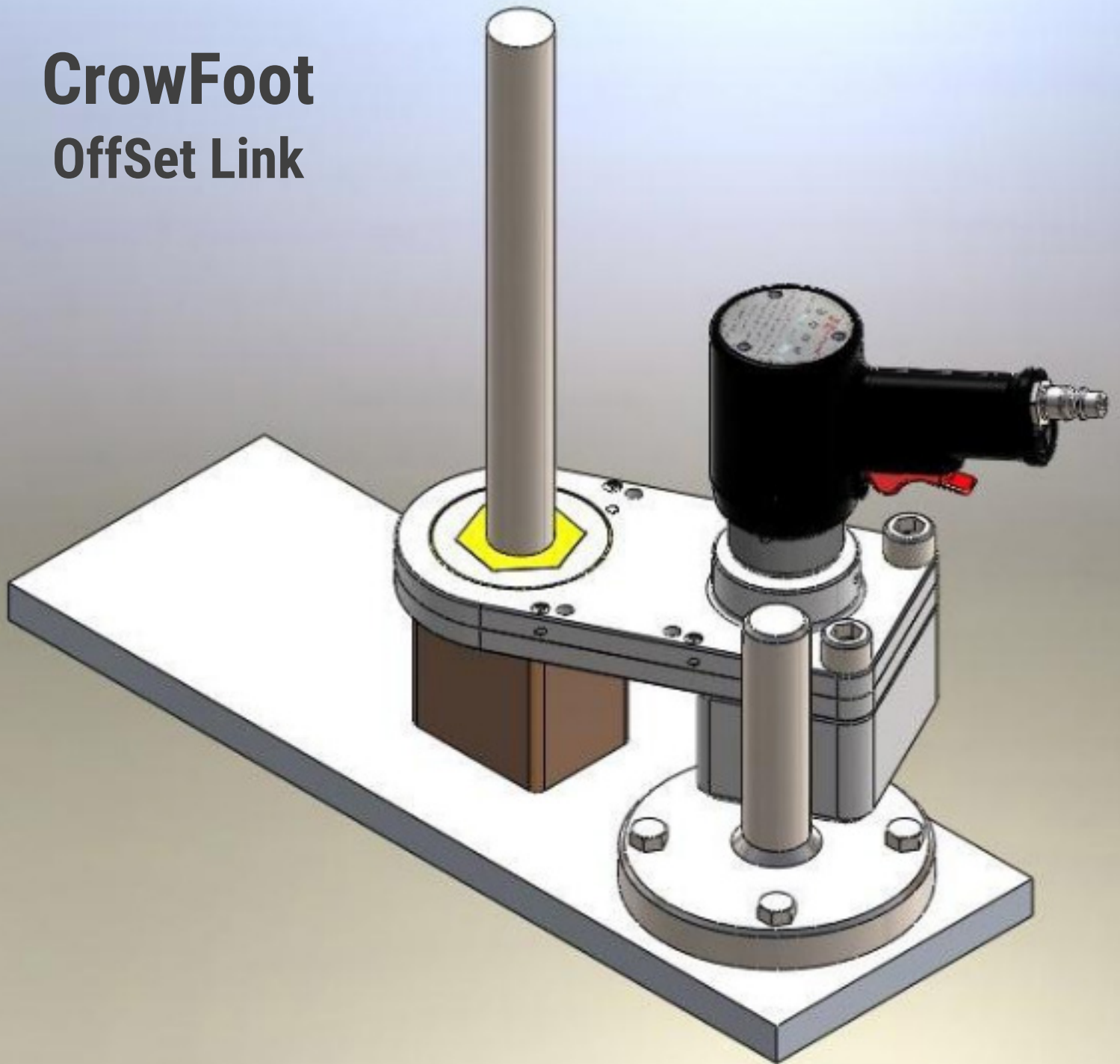
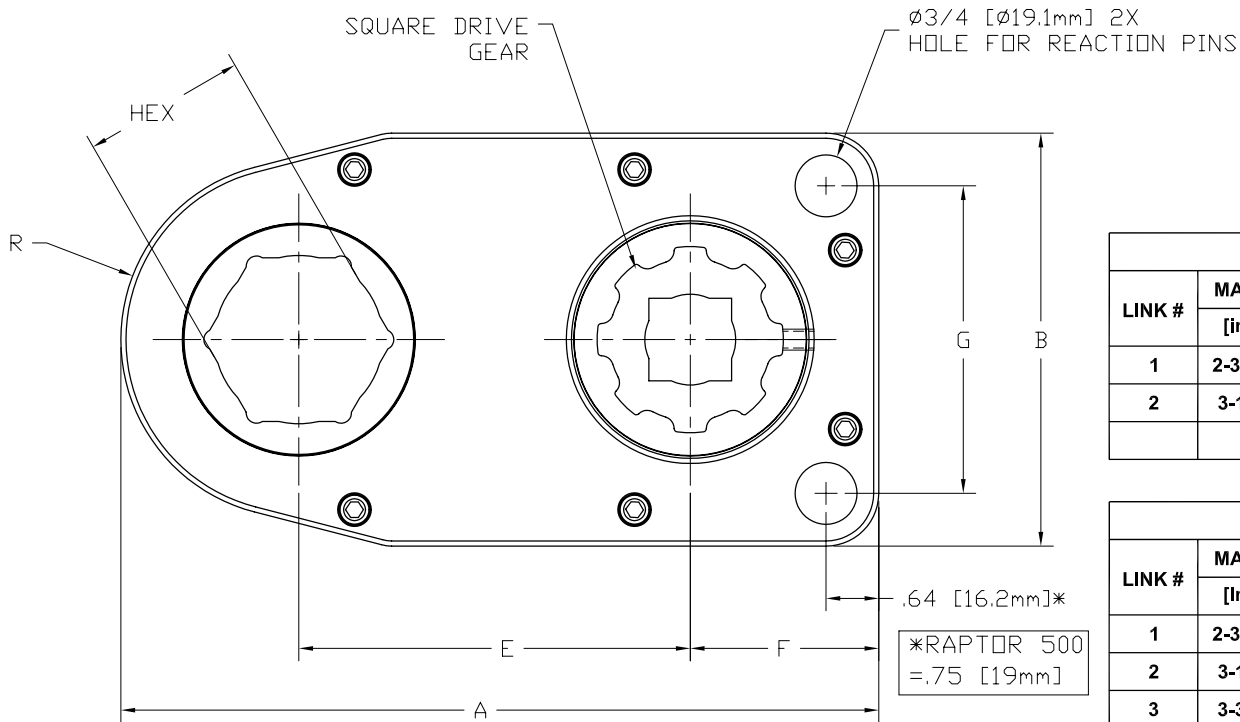


# CrowFoot OffSet Link

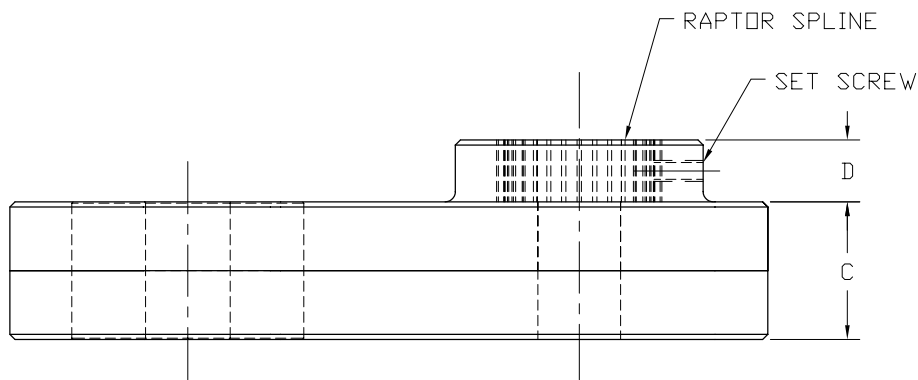




RAPTOR 500 / RAPTOR 1000											
LINK #	MAX. HEX SIZE		A	B	C	D	E	F	G	R	Weight
	[In.]	[mm]	[In.]	[In.]	[In.]	[In.]	[In.]	[In.]	[In.]	[In.]	[lbs]
1	2-3/16	55	9.18	5.00	1.25	.539	4.74	2.28	3.72	2.16	xxx
2	3-1/8	80	11.76	5.56	1.25	.539	6.20	2.78	4.29	2.78	xxx

RAPTOR 2000 / RAPTOR 3000											
LINK #	MAX. HEX SIZE		A	B	C	D	E	F	G	R	Weight
	[In.]	[mm]	[In.]	[In.]	[In.]	[In.]	[In.]	[In.]	[In.]	[In.]	[lbs]
1	2-3/16	55	9.18	5.00	1.67	.750	4.74	2.28	3.72	2.16	xxx
2	3-1/8	80	11.76	5.56	1.67	.860	6.20	2.78	4.29	2.78	xxx
3	3-3/4	95	12.99	6.31	1.67	.860	6.68	3.16	5.04	3.16	xxx

RAPTOR 6000											
LINK #	MAX. HEX SIZE		A	B	C	D	E	F	G	R	Weight
	[In.]	[mm]	[In.]	[In.]	[In.]	[In.]	[In.]	[In.]	[In.]	[In.]	[lbs]
1	3-3/4	95	13.82	6.54	2.08	.92	7.31	3.24	5.04	3.27	xxx



TITLE: RAPTOR OFFSET LINK



DRAWN: Kevin K

DATE: 3-4-10

CHECKED: \_\_\_\_\_

APPROVED: \_\_\_\_\_

© COPYRIGHT 2010

DWG. NO.

TORC UP, INC retains all rights to this drawing. It is not to be altered, used, or disclosed in whole or in part without our written consent.