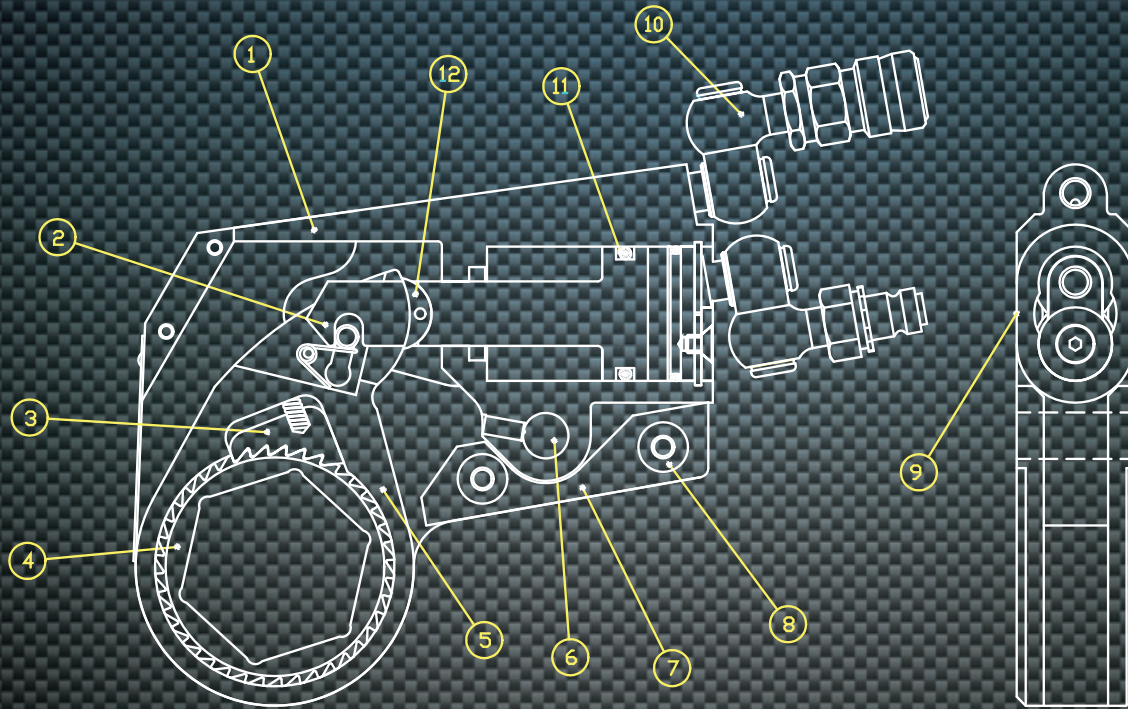


TX





01. Patented "Peanut-Shaped" Cylinder
Fit both the cylinder and link in confined areas

02. Engagement Rod
Automatically engages link on the first stroke

03. Never-Lock Drive Pawl
Ensures tool will NEVER lock on

04. Multi-Tooth Ratchet
Allows for 27 degree torque stroke accuracy

05. One Piece Drive Plate
Robust alloy provides for small nose radius

06. Link Pin
One pin for link to cylinder engagement, no tools required

07. In-Line Reaction Pad
Assures torsion free reaction every time

08. Steel Alignment Pin
Assures equal load displacement between side plates

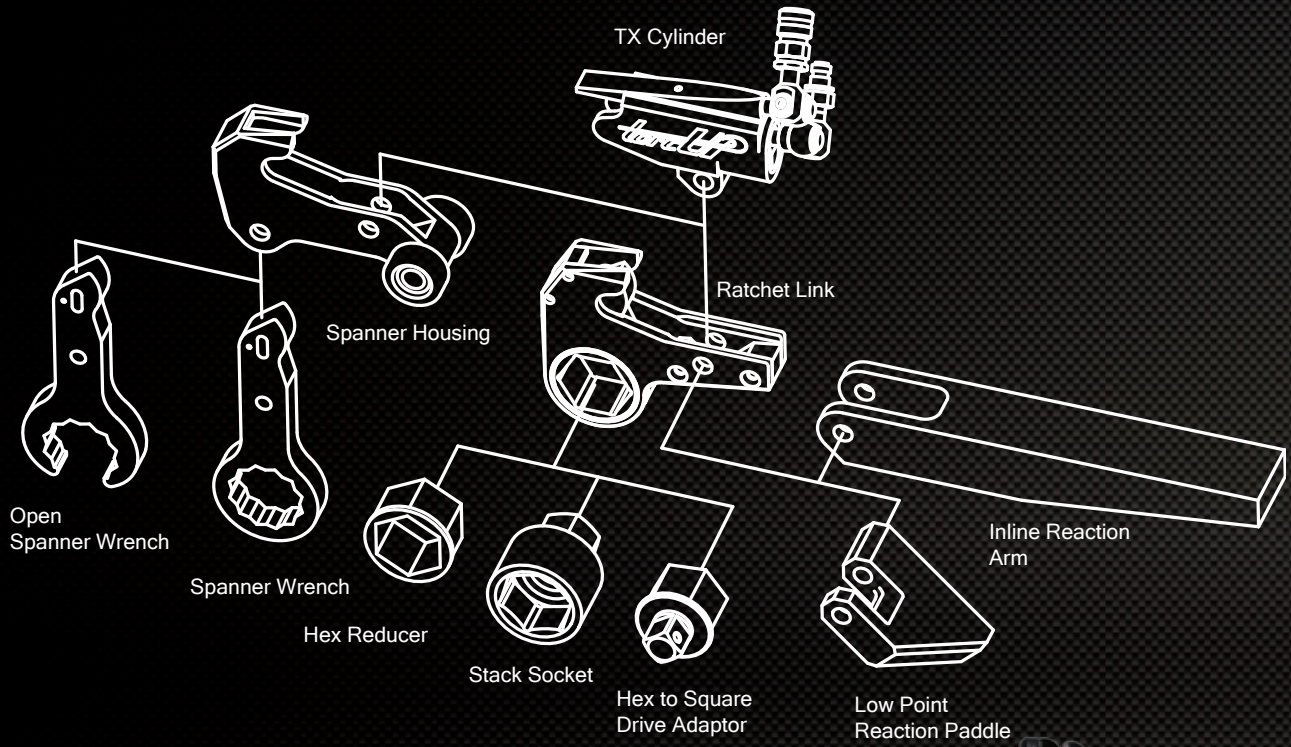
09. Completely Flat Design
Cylinder and link width are equal for tight fits

10. 360° x 360° Swivel
Allows hose to be cleared on all applications

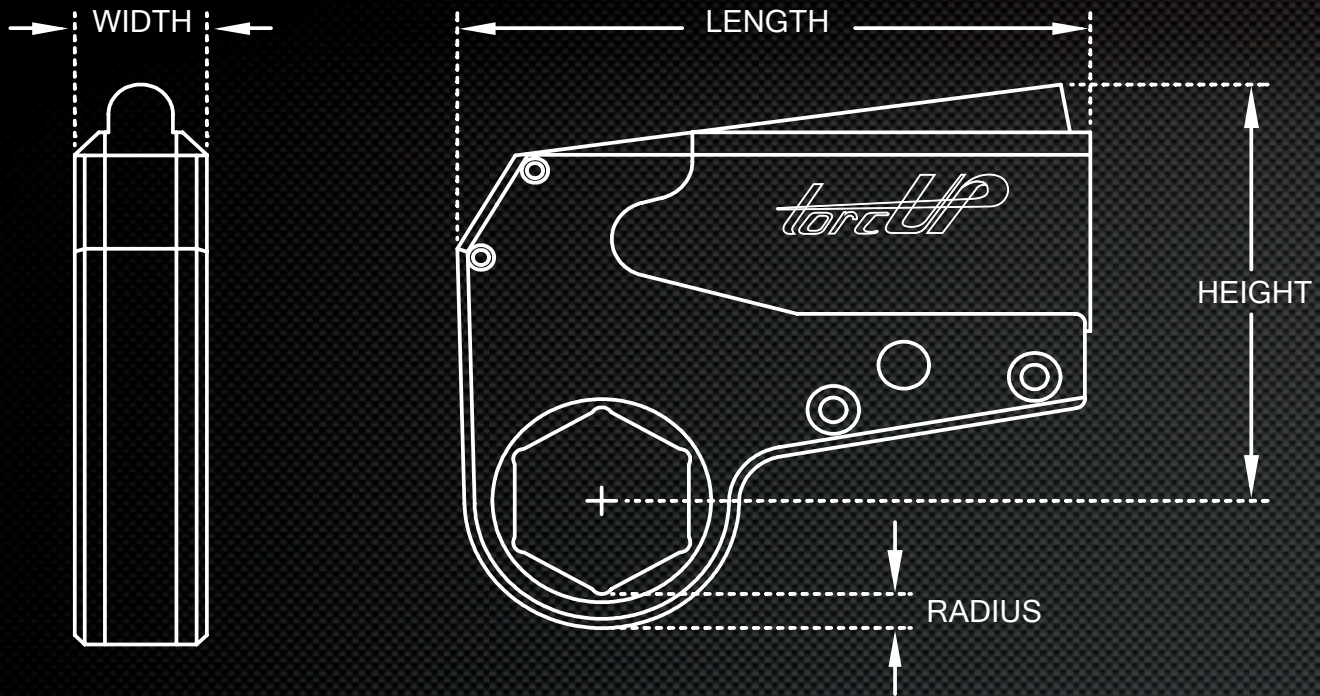
11. Proprietary Piston Seal
Patented technology provides years of maintenance free use

12. Slider
Prevents wear of piston and drive plate and reduces cost of repairs

TX Series Accessories



TECHNICAL DATA	TX-1	TX-2	TX-4	TX-8	TX-16	TX-32	TX-45
MIN TORQUE (ft/lbs)	45	192	395	830	1560	3220	4850
MAX TORQUE (ft/lbs)	560	1928	3950	8630	16600	35650	47380
MIN TORQUE (nm)	61	260	535	1125	2115	4365	6575
MAX TORQUE (nm)	759	2614	5335	11699	22503	48335	64239
OUTPUT ACCURACY	+/-3%	+/-3%	+/-3%	+/-3%	+/-3%	+/-3%	+/-3%
REPEATABILITY	100%	100%	100%	100%	100%	100%	100%
DUTY CYCLE	100%	100%	100%	100%	100%	100%	100%
CYLINDER WEIGHT (lb)	1.00	3.50	6.00	11.70	16.00	26.00	29.00
CYLINDER WEIGHT (kg)	0.45	1.58	2.70	5.00	7.30	11.50	13.00
LINK WEIGHT FROM (lb)	1.00	2.40	5.40	11.90	21.00	29.00	29.00
LINK WEIGHT TO (lb)	1.00	3.50	7.60	14.50	28.00	39.50	39.50
LINK WEIGHT FROM (kg)	0.45	1.00	2.40	5.50	9.50	13.00	13.00
LINK WEIGHT TO (kg)	0.45	1.50	3.40	6.50	13.00	17.90	17.90



DIMENSIONAL DATA	TX-1	TX-2	TX-4	TX-8	TX-16	TX-32	TX-45
LENGTH (in)	4.37	6.45	7.87	10.20	12.93	15.80	16.75
LENGTH (mm)	111.0	163.8	199.9	259.1	328.4	401.3	425.5
WIDTH (in)	0.78	1.25	1.63	2.05	2.50	3.24	4.88
WIDTH (mm)	19.8	31.8	41.4	52.1	63.5	82.3	124.0
RADIUS (in)	0.23	0.36	0.46	0.54	0.65	.93	.93
RADIUS (mm)	5.8	9.1	11.7	13.7	16.5	23.6	23.6
HEIGHT (in)	3.25	4.00	5.60	7.00	7.58	9.50	10.28
HEIGHT (mm)	82.6	101.6	142.2	177.8	192.5	241.3	261.1

